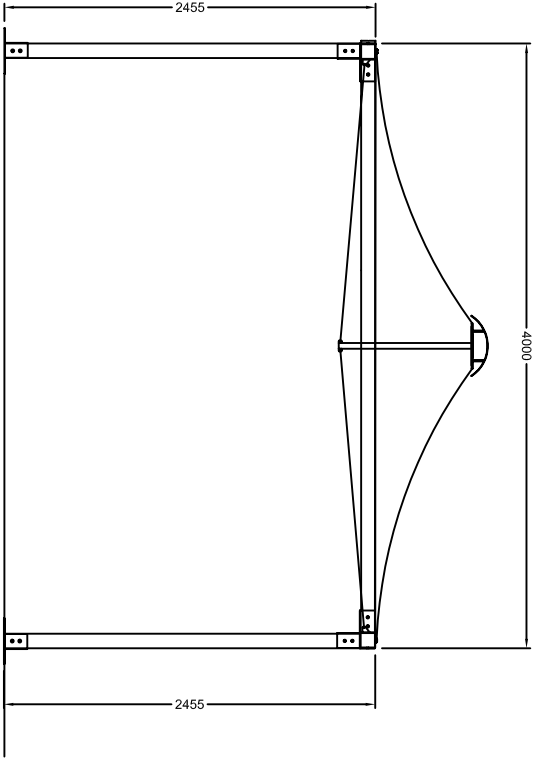
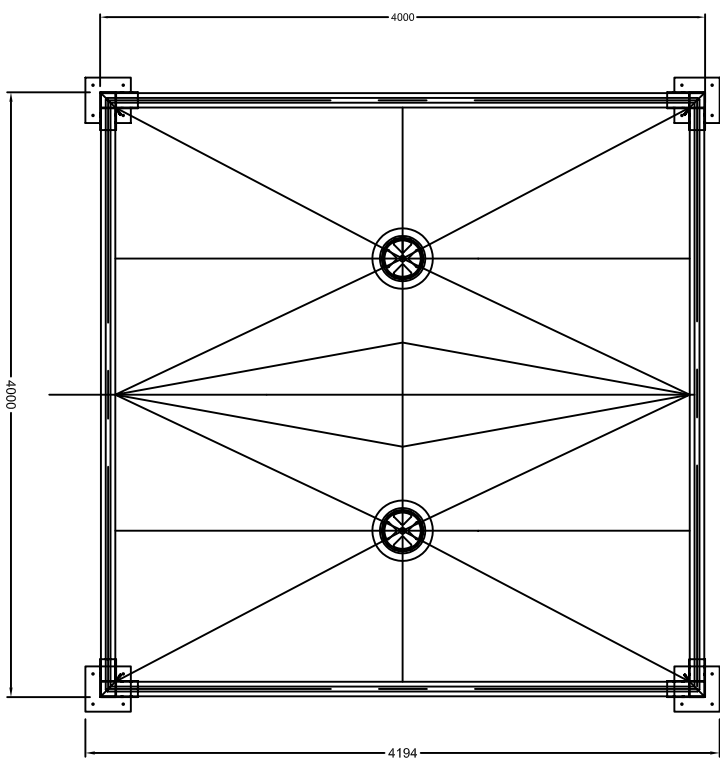


Front Elevation



Side Elevation



Plan View

Revision	Date	Details

Client \_\_\_\_\_

Project Tensilefabric SC

Title 4m x 4m Single Cone Canopy

Scale 1:50@A3

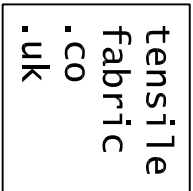
Date 28.02.06

Drawn \_\_\_\_\_

Dwg. no. \_\_\_\_\_

Revision0 \_\_\_\_\_

Garaway House,  
 Chantry Road, Clifton,  
 Bristol, BS8 2QF.  
 T + 0870 609 0051  
 F+ 0870 609 0052  
 mail@tensilefabric.co.uk



This drawing and the information it shows are copyright and may not be reproduced without permission.