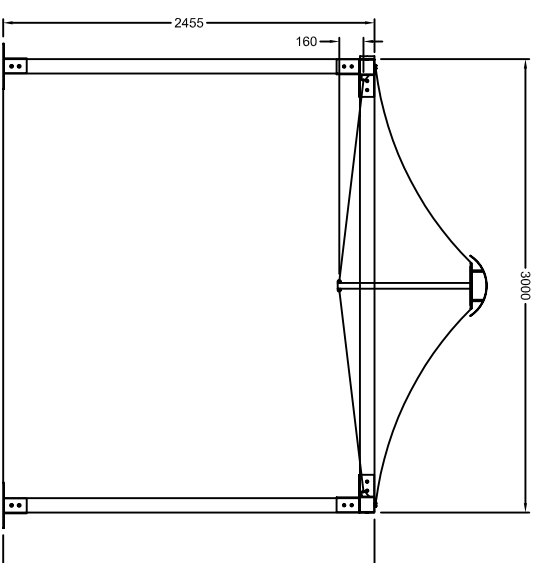
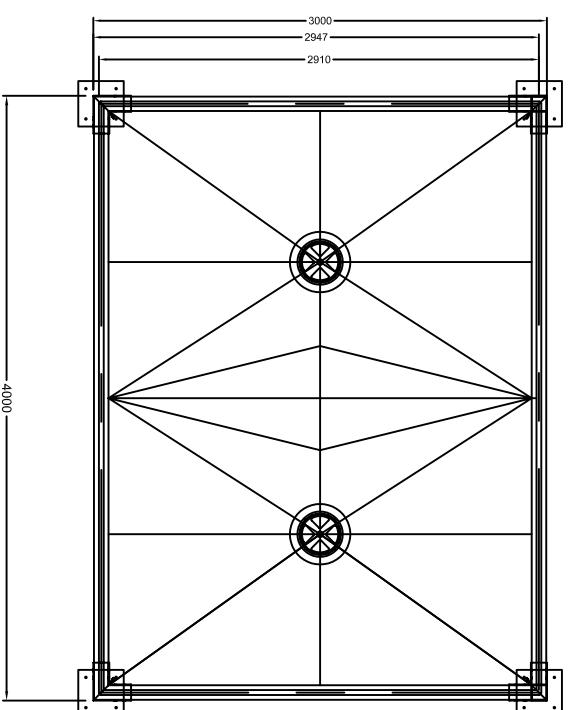


Front Elevation



Side Elevation



Plan View

Revision	Date	Details

Client

Project Tensilefabric SC

Title 4m x 3m Single Cone Canopy_Timber

Scale 1:50@A3

Date 28.02.06

Drawn

Dwg. no.

Revision0

Garaway House,
 Chantry Road, Clifton,
 Bristol, BS8 2QF.
 T + 0870 609 0051
 F+ 0870 609 0052

mail@tensilefabric.co.uk

tensile
fabric
.co.uk

This drawing and the information it shows are copyright and may not be reproduced without permission.